

havasis

**ÇÖZÜMÜN
İLK ADI**



Kurumsal & Ürünler
havasis.com.tr



Sipariş & Danışma Hattı
0549 449 3535

Teklif & Ürün Bilgi
info@havasis.com.tr

Kalibrasyon & Bakım Onarım Merkezi
servisdestek@kalibo.com.tr



DUROFIX™

**ASSEMBLY
TOOL**

PRO-ASSEMBLY SERIES

SOLUTION

FOR ASSEMBLY WORKS

CONTROL + MOTOR ALL-IN-ONE DESIGN

✓ HIGH PERFORMANCE WITH AIO MOTOR



ASSEMBLY PROCESSES OPTIMISATION

No cables, air hoses or compressors to get in the way

HIGH ACCURACY REPEATABILITY

Auto shut-off mechanisms ensure accuracy and precision every time.

LONGER LIFESPAN & BETTER ENERGY EFFICIENCY

Lithium-ion batteries and brushless motors get the job done





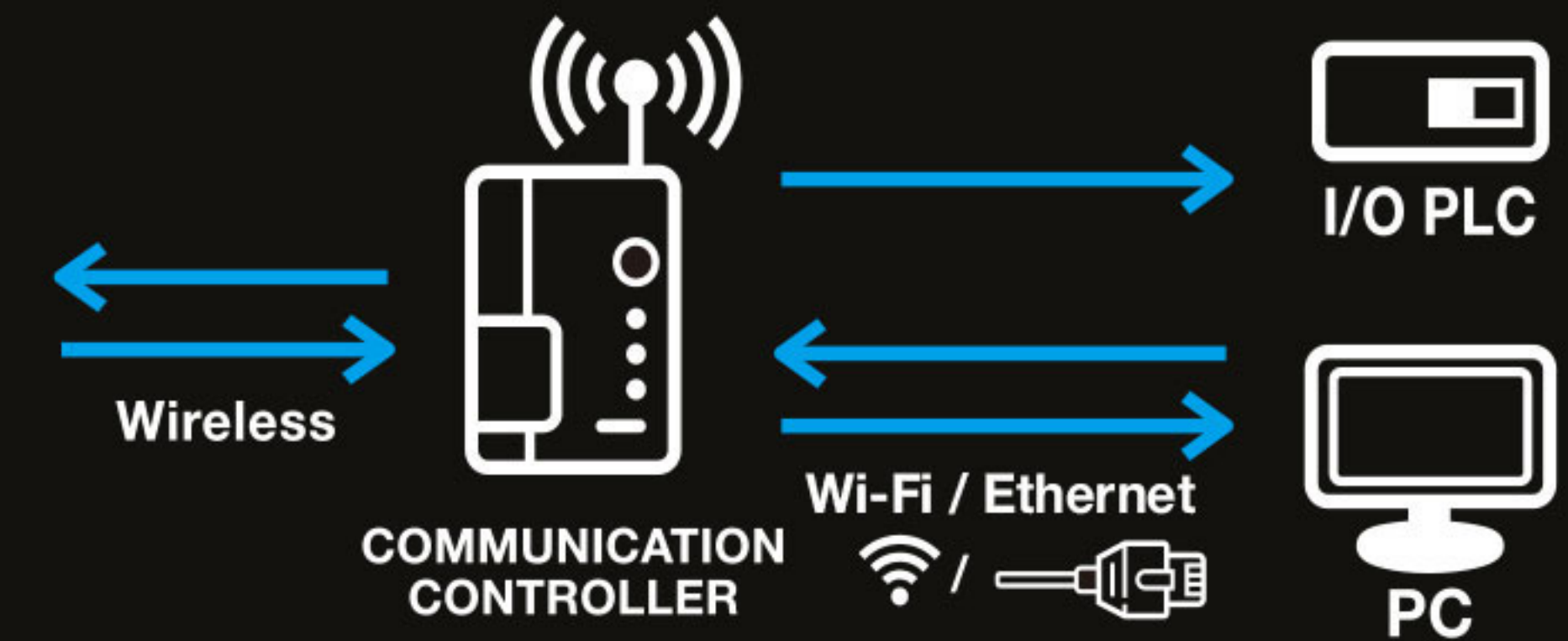
Wireless

PRO-ASSEMBLY WIRELESS DATA COMM

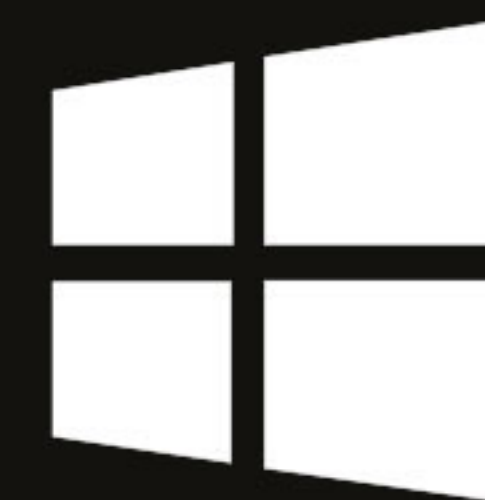
Pro-Assembly Wireless Data Comm. allow plant manager to remotely control and monitor devices through the wireless receiver/communication controller (DR001, DR002, sold separately) connected to the existing PLC system or PC. The tool can store up to 1,000 joint rundowns which can be downloaded wireless in bulk at the end of the day or accessed in real time via the PLC system or PC.

DESIGNED for VERSATILITY

Wireless



WINDOWS APP SYSTEM GO WIRELESS



WINDOWS APP

Windows App Features:

- Remotely fine tune torque and other settings for more precise applications (Max speed / duty, operation cycle & rotation, turns, screw runtime)
- Record torque settings pattern
- Real-time monitoring of up to 10 tools at job site
- Collect all fastening data in the assembly process

Wireless Receiver Features:

- Wireless connection with Pro-Assembly tool
- Compatible with plant PLC system
- Collect fastening data in assembly process directly to PLC

RV2054 - 20V BRUSHLESS TRANSDUCERIZED PRECISION TOOL



EPS (Electro-Pulse System)

- Reducing average reaction force experienced by the operator **Up to 30%**
- Allowing for one-handed operation in certain situations with less strain placed on the use

RV2052 - 20V BRUSHLESS TRANSDUCERIZED PRECISION TOOL



RV2054-WR8 / RV2054-WR18



RV2054-3-WR8 / RV2054-3-WR18 / RV2054-3-WR24

FEATURES



- Brushless Motor - Energy saving, higher efficient and longer life-span
- Auto shut-off when torque reaches the set value
- Low maintenance costs due to long service life
- Reduces life-cycle costs due to wear-free components
- Improved ergonomics, lightweight and reaction force with Li-ion compact battery for fatigue-free working
- Battery indicator

SPECIFICATION

Model No.	RV2054-WR8	RV2054-WR18
Voltage	20V	
Drive	1/4" Hex Shank	
Programmable Speed	50-1,200 rpm	50-800 rpm
Torque Range	1-8 Nm	3-18 Nm
Weight (w/o battery pack)	1.00 kg (2.20 lbs)	
Dimension (LxWxH)	212 x 78 x 256 mm	

Model No.	RV2054-3-WR8	RV2054-3-WR18	RV2054-3-WR24
Voltage	20V		
Drive	3/8" Square		
Programmable Speed	50-1,200 rpm	50-800 rpm	50-600 rpm
Torque Range	1-8 Nm	3-18 Nm	6-24 Nm
Weight (w/o battery pack)	1.00 kg (2.20 lbs)		
Dimension (LxWxH)	212 x 78 x 256 mm		



RV2052-WR8 / RV2052-WR18 / RV2052-WR24



RV2052-3-WR18 / RV2052-3-WR24

FEATURES



- Brushless Motor - Energy saving, higher efficient and longer life-span
- Auto shut-off when torque reaches the set value
- Low maintenance costs due to long service life
- Reduces life-cycle costs due to wear-free components
- Improved ergonomics, lightweight and reaction force with Li-ion compact battery for fatigue-free working
- Battery indicator

SPECIFICATION

Model No.	RV2052-WR8	RV2052-WR18	RV2052-WR24
Voltage	20V		
Drive	1/4" Hex Shank		
Programmable Speed	50-1,200 rpm	50-800 rpm	50-600 rpm
Torque Range	1-8 Nm	3-18 Nm	6-24 Nm
Weight (w/o battery pack)	1.00 kg (2.20 lbs)		
Dimension (LxWxH)	202 x 78 x 236 mm		

Model No.	RV2052-3-WR18	RV2052-3-WR24
Voltage	20V	
Drive	3/8" Square	
Programmable Speed	50-800 rpm	50-600 rpm
Torque Range	3-18 Nm	6-24 Nm
Weight (w/o battery pack)	1.00 kg (2.20 lbs)	
Dimension (LxWxH)	202 x 78 x 236 mm	

RV2053 - 20V BRUSHLESS TRANSDUCERIZED ANGLE PRECISION TOOL

RV2070 - 20V BRUSHLESS TORQUE MULTIPLIERS



FEATURES

- Brushless Motor - Energy saving, higher efficient and longer life-span
- EPS (Electro-Pulse System) Reducing the torque reaction during tightening
- Real-Time feedback by transducer control
- Collect all Fastening data in process
- LED indicator & Buzzer
- Precision & Accuracy
- Battery indicator



OLED DISPLAY & ONBOARD KEYPAD

Easy for programming tightening parameters

SPECIFICATION

Model Number	RV2053-WR45	RV2053-WR80	RV2053-WR120
Voltage	20V		
Drive	3/8" Square	1/2" Square	
Programmable Speed	20-200 RPM	20-130 RPM	20-100 RPM
Torque Range	8-45 Nm (5.9-33.2 ft-lbs)	12-80 Nm (8.85-59 ft-lbs)	40-120 Nm (29.5-88.5 ft-lbs)
Weight (w/o battery pack)	2,10 kg	2,24 kg	2,24 kg

FEATURES

- Integrated gearbox provides premium quality and accuracy
- Multi-function display module with cycle status alert and audible alarm offers instant feedback and easy setup
- 360° adjustable handle, with 6 mm threaded port for eye hooks or other tethering points, provides operator comfort, flexibility and safety options
- Standard or custom reaction arms available
- Optional wireless communication for process control with I/O and data collections.



SPECIFICATION

Model Number	RV2070-200	RV2070-860	RV2070-1620	RV2070-2160
Voltage	20V			
Drive Size	3/4"	3/4"	1"	1"
Torque Range (Nm)	26-208	144-864	270-1,620	540-2,160
Speed (rpm)	46	17	9	7
Length	338 mm	338 mm	370.5 mm	370.5 mm
Width	50 mm	70 mm	75 mm	75 mm
Weight (w/o battery pack)	3.15 kg	3.61 kg	5.18 kg	5.18 kg

RZ4014 - 40V BRUSHLESS OIL PULSE TOOL



RZ2013 - 20V BRUSHLESS OIL PULSE TOOL

FEATURES

BLDC MOTOR **Wireless**

- New oil-pulse system boosts heat dissipation and run time.
- Integrated pulse and motor design for faster, quieter, and smoother operation.
- Achieves precise torque with automatic stop.
- Smart press detection to reduce user error.
- Upgraded oil hydraulics lower the risk of leaks and wear.



Tightening Torque Adjustment



LED Shut-Off Indicator to Confirm OK / NG Joint Status

SPECIFICATION

Model Number	RZ4014-WR90
Voltage	40V
Drive	1/2" Square
Programmable Speed	1,000-6,000 rpm
Torque Range	55-90 Nm
Weight(with Battery)	2.55 kg
Dimension (LxWxH)	274 mm x 78 mm x 256 mm

FEATURES

BLDC MOTOR **Wireless**

- New oil-pulse system boosts heat dissipation and run time.
- Integrated pulse and motor design for faster, quieter, and smoother operation.
- Achieves precise torque with automatic stop.
- Smart press detection to reduce user error.
- Upgraded oil hydraulics lower the risk of leaks and wear.



Tightening Torque Adjustment



LED Shut-Off Indicator to Confirm OK / NG Joint Status

SPECIFICATION

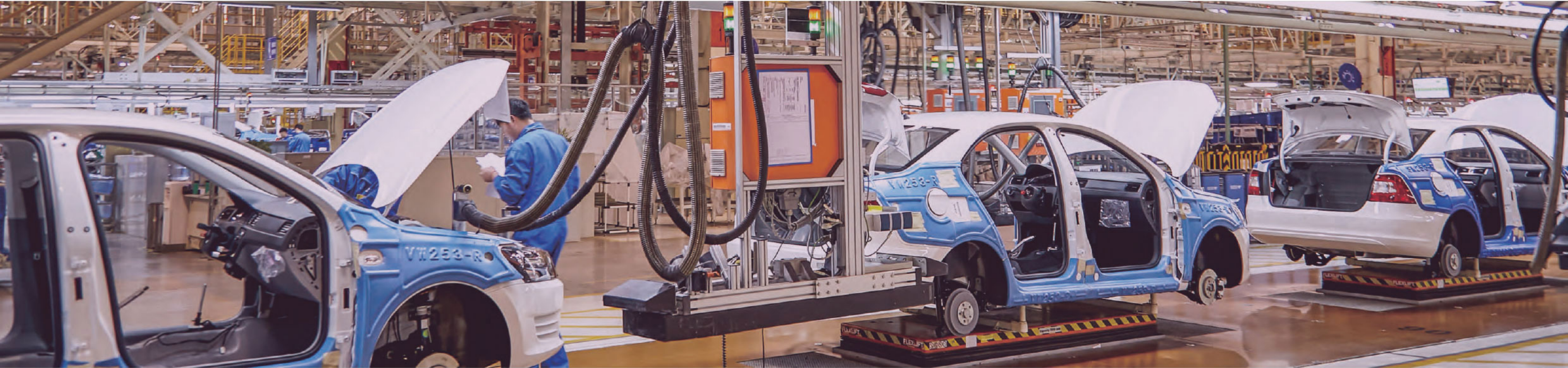
Model Number	RZ2013-D-WR30	RZ2013-3-WR40	RZ2013-3-WR55
Voltage	20V		
Drive	1/4" Hex Shank	3/8" Square	3/8" Square
Programmable Speed	1,500-6,000 rpm		
Torque Range	12-30 Nm	15-40 Nm	35-55 Nm
Weight(with Battery)	1.65 kg	1.62 kg	1.78 kg
Dimension (LxWxH)	190 x 77 x 239 mm	192 x 77 x 239 mm	210 x 77 x 239 mm

TORQUE RANGE
12-30 Nm
RZ2013-D-WR30

TORQUE RANGE
15-40 Nm
RZ2013-3-WR40

TORQUE RANGE
35-55 Nm
RZ2013-3-WR55

DIGITAL TORQUE & ANGLE CONTROL SCREWDRIVER



DIGITAL TORQUE & ANGLE CONTROL SCREWDRIVER

FEATURES

- 5" LCD touch screen
- RS232C and Wi-Fi 6 Connection to PC & PLC (Modbus)
- 1,000 memory and available slot for memory expansion
- Transducerized tool for 10% accuracy
- Real time graphing for fastening analysis
- 15 presets & 15 jobs setting
- TC/AM or AC/TM mode for torque and angle control
- Statistic data analysis on PC software



DR102

MV4082-7

SPECIFICATION

BLDC
MOTOR



Model Number	MV4082-7
Input Voltage	DC40V
Torque	1-7 Nm / 10-71 kgf-cm / 8.9-62 in-lbs
Programmable Speed	50-670 rpm
Weight	0.77 kg
Dimension	285.5 mm



Wireless

Model Number	DR102	Output Current (max.)	15 A
Input Voltage	AC 100V~240V	Output Power (max.)	600 W
Input Frequency	50-60 Hz	Weight	3.30 kg
Output Voltage	DC 40V	Dimension (LxWxH)	225.5 x 155 x 115 mm

COMMUNICATION PORT

- Rs232 (Scanner gun)
- 25P I/O (PLC)
- USB (Download / Read data, update software)
- Ethernet



PRECISION TOOL

PRECISE FASTENING FROM THE FIRST SCREW... TO THE LAST

LIGHT-WEIGHT & ERGONOMIC DESIGN

Allows extended use periods and increases mobility

PRECISION SHUT-OFF CLUTCH

RV2048 - 20V BRUSHLESS PRECISION TOOL



Adjustable High Precision Shut-Off Clutch



LED Indicator & Buzzer to Confirm Shut-Off OK / NG Joint Status.



Color Rings for Quick Identification of Torque Range



BLDC MOTOR **Wireless**

FEATURES

- Brushless Motor - Energy saving, higher efficient and longer life-span
- Auto shut-off when torque reaches the set value
- Battery indicator
- Low maintenance costs due to long service life
- Reduces life-cycle costs due to wear-free components
- Improved ergonomics, lightweight and reaction force with Li-ion compact battery for fatigue-free working

SPECIFICATION

Model Number	RV2048-WR12	RV2048-WR6	RV2048-WR2
Voltage	20 V		
Drive	1/4" Hex Shank		
Torque Range	3-12 Nm (2.2-8.9 ft-lbs)	1-6 Nm (0.7-4.4 ft-lbs)	0.5-2 Nm (0.37-1.5 ft-lbs)
Programmable Speed	700-1,000 rpm	700-1,000 rpm	700-1,000 rpm
Weight	1.75 kg (3.85 lbs)		
Dimension (LxWxH)	212 mm x 78 mm x 256 mm (8.3" x 3.1" x 10.1")		



TORQUE RANGE
0.7-4.4
ft-lbs

RV2048-WR6

TORQUE RANGE
2.2-8.9
ft-lbs

RV2048-WR12

TORQUE RANGE
0.37-1.5
ft-lbs

RV2048-WR2

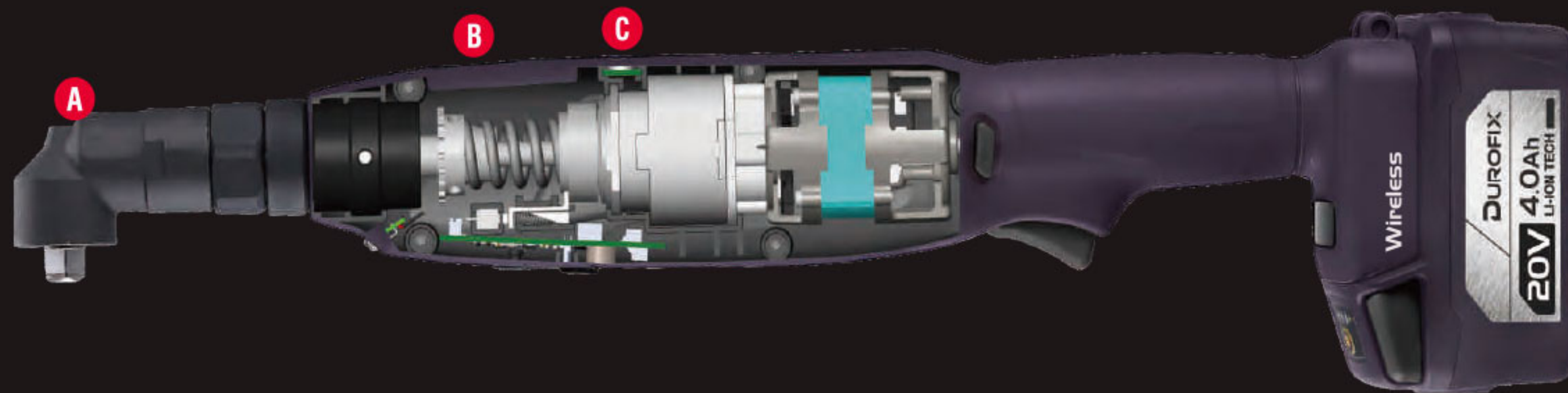
ANGLE PRECISION TOOL

POWERFUL FASTENING SOLUTION IN NARROW SPACES

CONSTANT & PRECISE TIGHTENING TORQUE

The torque can be precisely set over large range and retrieved with repeat accuracy

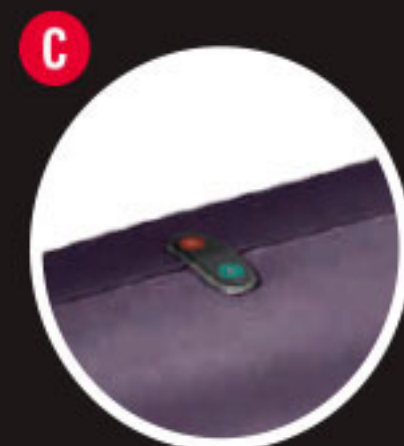
PRECISION SHUT-OFF CLUTCH



All Metal Angle Head



Adjustable High Precision Shut-Off Clutch



LED Indicator & Buzzer to Confirm Shut-Off OK / NG Joint Status.

RV2047 - 20V BRUSHLESS ANGLE PRECISION TOOL



BLDC MOTOR **Wireless**

FEATURES

- Brushless Motor - Energy saving, higher efficient and longer life-span
- Auto shut-off when torque reaches the set value • Battery indicator
- Low maintenance costs due to long service life
- Reduces life-cycle costs due to wear-free components
- Improved ergonomics, lightweight and reaction force with Li-ion compact battery for fatigue-free working

SPECIFICATION

Model Number	RV2047-3-WR12	RV2047-D-WR12	RV2047-2-WR12
Voltage	20V		
Drive	3/8" Square	1/4 Hex Shank	1/4" Square
Torque Range (Nm)	3-12 Nm (2.2-8.8 ft-lbs)	3-12 Nm (2.2-8.8 ft-lbs)	3-12 Nm (2.2-8.8 ft-lbs)
Programmable Speed	840-1200 RPM	840-1200 RPM	840-1200 RPM
Weight (w/o battery pack)	1.60 kg (3.52 lbs)	1.60 kg (3.52 lbs)	1.60 kg (3.52 lbs)
Dimension (LxWxH)	115 mm x 78 mm x 493 mm	115 mm x 78 mm x 493 mm	115 mm x 78 mm x 493 mm

Model Number	RV2047-WR30	RV2047-WR45	RV2047-WR70	RV2047-WR90
Voltage	20V			
Drive	3/8" Square	3/8" Square	1/2" Square	1/2" Square
Torque Range (Nm)	8-30 Nm (5.9-22.13 ft-lbs)	18-45 Nm (13.3-33.2 ft-lbs)	20-70 Nm (14.75-51.63 ft-lbs)	40-90 Nm (29.5-66.4 ft-lbs)
Programmable Speed	210-300 RPM	210-300 RPM	160 RPM	100 RPM
Weight (w/o battery pack)	1.70 kg (3.74 lbs)	1.70 kg (3.74 lbs)	2.10 kg (4.62lbs)	2.10 kg (4.62lbs)
Dimension (LxWxH)	115 mm x 78 mm x 493 mm	115 mm x 78 mm x 493 mm	115 mm x 78 mm x 539 mm	115 mm x 78 mm x 539 mm

RV2017 / RV2027 / RV2037 - 20V TUBE NUT WRENCH

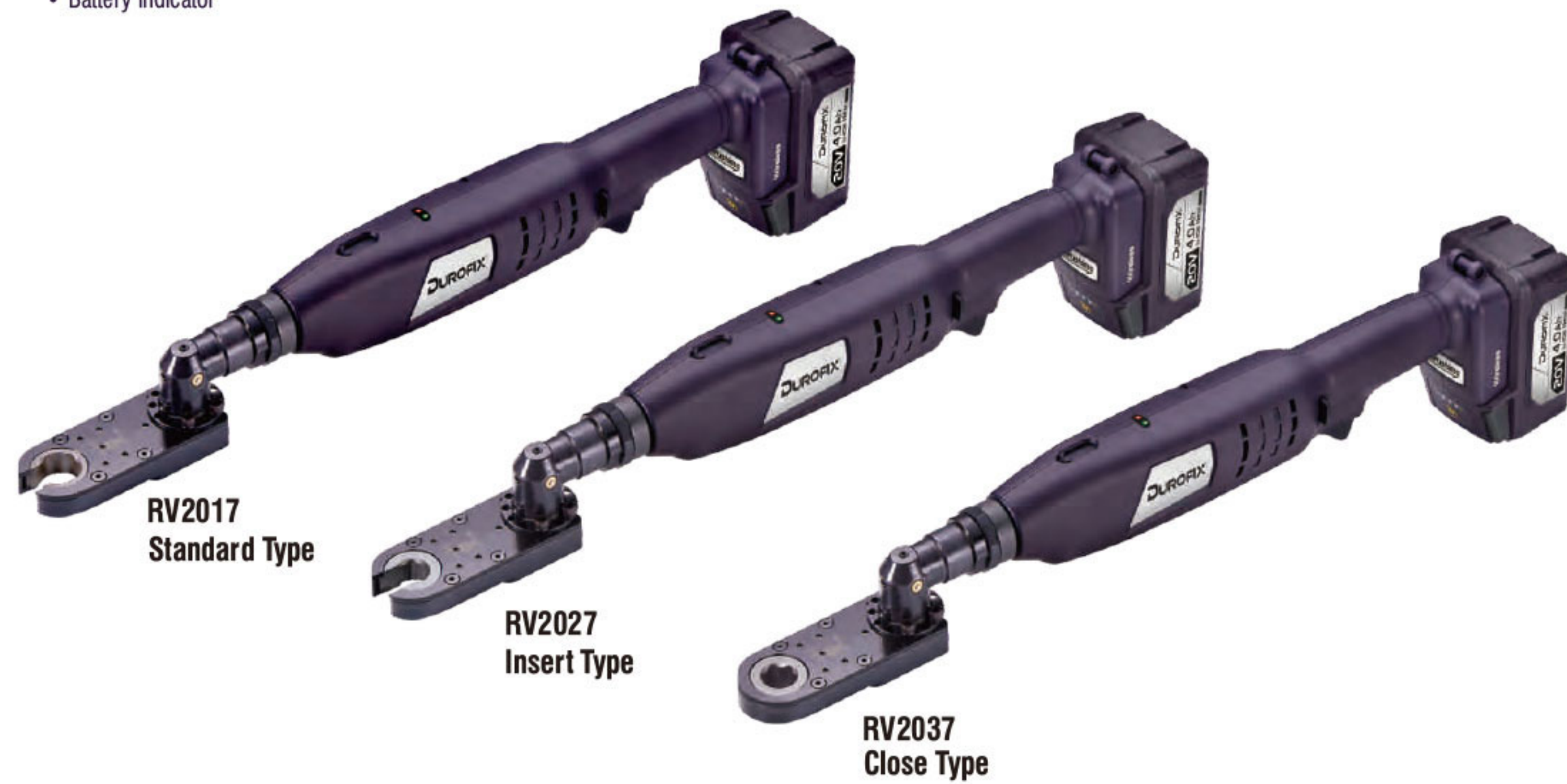


RV2017 / RV2027 / RV2037 - 20V TUBE NUT WRENCH

FEATURES

- Brushless Motor - Energy saving, higher efficient and longer life-span
- Auto shut-off when torque reaches the set value
- Low maintenance costs due to long service life
- Reduces life-cycle costs due to wear-free components
- Improved ergonomics, lightweight and reaction force with Li-ion compact battery for fatigue-free working
- Battery indicator

BLDC MOTOR **Wireless**



SPECIFICATION

Standard Type	Hex Size (mm)	Torque Range	RPM	Length	Weight
RV2017-WR12 series	7,8,9,10,11,12,13,14,15,16	3-12 Nm	525-750	539 mm	2.65 kg
RV2017-WR20 series	17,18,19,20,21,22,23,11/16"	6-20 Nm	350-500	563 mm	2.79 kg
RV2017-WR27 series	24,26,27,29,30,32	8-27 Nm	262-375	587 mm	3.02 kg

Insert Type	Hex Size (mm)	Torque Range	RPM	Length	Weight
RV2027-WR12 series	7,8,9,10,11	3-12 Nm	525-750	539 mm	2.65 kg
RV2027-WR20 series	12,13,14,15,16	6-20 Nm	350-500	563 mm	2.79 kg
RV2027-WR27 series	17,18,19,20,21,22	8-27 Nm	262-375	587 mm	3.02 kg

Close Type	Hex Size (mm)	Torque Range	RPM	Length	Weight
RV2037-WR12 series	7,8,9,10,11,12,13,14,15,16	3-12 Nm	525-750	541 mm	2.67 kg
RV2037-WR20 series	17,18,19,20,21,22,23,11/16"	6-20 Nm	350-500	565 mm	2.81 kg
RV2037-WR27 series	24,26,27,29,30,32	8-27 Nm	262-375	589 mm	3.04 kg



RI20126 - 20V BRUSHLESS ETC IMPACT WRENCH



RI2036 - 20V BRUSHLESS ETC JUMBO IMPACT WRENCH



FEATURES

- 1/2" Square drive, 50-stage Pre-set Torque
- Electronic Torque Control & Auto shut-off
- LED & Buzzer indicator confirms joint status for OK (green) or NG (red)
- Display showing torque stage & error message
- Max. 375 Nm reverse torque
- P20 battery platform with LED battery level indicator
- USB port for uploading program & downloading data

SPECIFICATION

Model Number	RI20126	RI20126R	RI20126A1	RI20126R1
Voltage	20 Vdc			
Drive	1/2" Square			
Max. Reverse Torque	375 Nm			
Max. Torque	250 Nm			
Torque Setting Range	30-180 Nm	30-180 Nm	10-100 Nm	10-100 Nm
Auto Shut-Off Stage	50 stage	50 stage	50 stage	50 stage
	Fwd.	Fwd. / Rev.	Fwd.	Fwd. / Rev.
Application	M10-M16	M10-M16	M8-M10	M8-M10
No Load Speed	0-2,600 RPM			
Impacts per Minute	0-3,000 IPM			
Tool Weight	1.66 kg (3.65 lbs)			



RI20126
RI20126R



RI20126A1
RI20126R1



RI2036A1



RI2036A2



RI2036A3

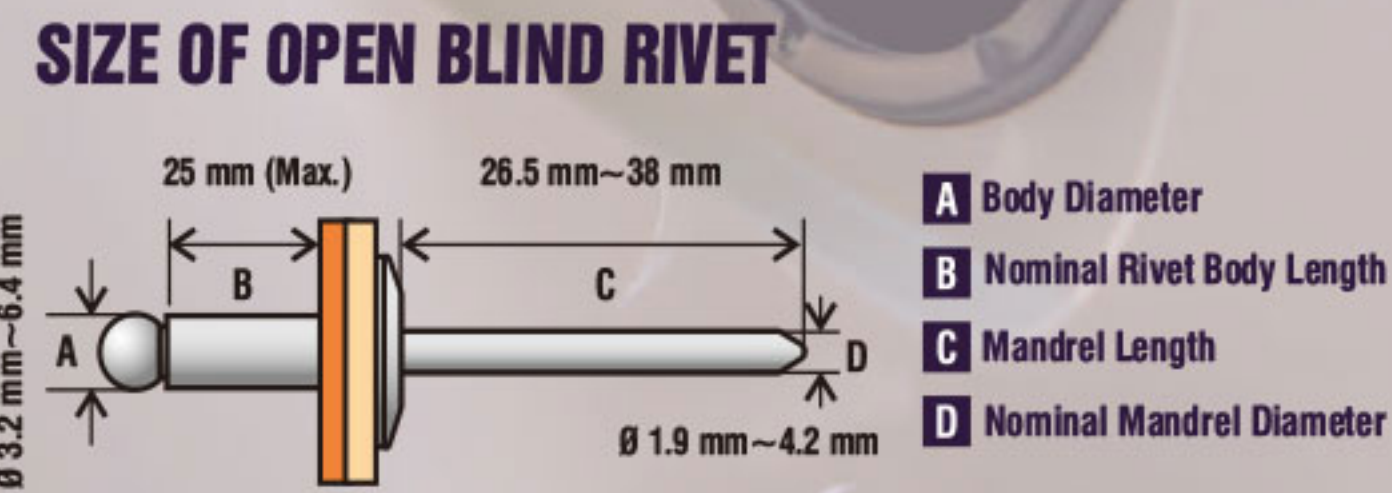
FEATURES

- Patented Electronic Torque Clutch (ETC).
- Loosen tire lug nuts with 1,100 Nm reverse torque to conquer greasiness, rust, dirt & over-torque by air impact tools.
- Durable metal gearbox housing
- Battery indicator
- Built-in LED light

SPECIFICATION

Model Number	RI2036A1	RI2036A2	RI2036A3
Voltage	20 Vdc		
Drive	1/2" Square		
Max. Reverse Torque	1,100 Nm (810 ft-lbs)		
Max. Tightening Torque	800 Nm (590 ft-lbs) Non Shut-Off		
Torque Setting Range	80-480 Nm (60-355 ft-lbs) Auto Shut-Off	100-700 Nm (73-515 ft-lbs) Auto Shut-Off	60-600 Nm (44-443 ft-lbs) Auto Shut-Off
	No Load Speed		
No Load Speed			0-2,200 RPM
Impacts per Minute			0-2,000 IPM
Tool Weight			3.20 kg (7.04 lbs)

RV20108 - 20V BRUSHLESS RIVETING TOOL



FEATURES Protector for Tools

- Good for up to 1/4" (6.4 mm) stainless steel rivets
- One-touch trigger & auto-reverse function
- Integrated mandrel collection container (patented)
- Holding mechanism for rivet
- Battery indicator

INTEGRATED MANDREL COLLECTION CONTAINER (PATENTED)



- A** Collecting up to 600 rivet mandrels
- B** Patented container integrated with holding and changing nozzle

SPECIFICATION

Model Number	RV20108
Voltage	20 Vdc
Blind Rivet Size	3.2 / 4.0 / 4.8 / 6.4 mm
Max. Setting Force	4,500 lbf (20,000 N)
Stroke	25 mm
Tool Weight	2.30 kg (5.06 lbs)
Dimension (LxWxH):	331 mm x 84 mm x 284 mm



20V BATTERY PACKS



PROTECTOR FOR BATTERY PACKS



DP014
Applicable Battery:
B2036LB / B2036LA

DP015
Applicable Battery:
B2036LB-2 / B2036LA-2

UNIVERSAL CHARGERS



DC20UN26-C60

- Active Voltage Control
- Battery Thermal Protection System
- Fast Charging Time

Weight: 570g

DC20US28-C30

Weight: 490g

I/O RECEIVER



DR002
1 to 10 Communication
Compatible with PLC



DR001
1 to 1 Communication
Compatible with PLC



24 Vdc
Power Adapter

LI-ION BATTERY TECHNOLOGY



INTELLIGENT BATTERY MANAGEMENT SYSTEM

Built-in individual cell voltage detection circuit for charge control in battery pack.



HIGH-POWER EXTENDED LIFE BATTERY

Delivers high charger capacity with low internal impedance for maximum power delivery and exceptional run time.



LONGTIME STORAGE

No memory effect, low self discharge and always ready for use.



BATTERY INDICATOR

Provides visual charge level of battery power.



RIVETING TOOL

BLIND RIVET SIZE UP TO 1/4" (6.4 MM)

Large working range

ONE PRESS FOR ONE CYCLE

Rivet pull → Cut → Spent mandrel ejection

AUTO-REVERSE FUNCTION

Short processing time



RV20104 - 20V BRUSHLESS RIVETING TOOL



FEATURES

- Blind Rivet Size Up To 1/4" (6.4 mm)
- One Press For One Cycle
- Auto-reverse Function
- Built-in LED light
- Battery Indicator

SPECIFICATION

Model Number	RV20104
Voltage	20 Vdc
Blind Rivet Size	1/8", 5/32", 3/16" & 1/4" (3.2 / 4.0 / 4.8 / 6.4 mm)
Max. Setting Force	3,375 lbf (15,000 N)
No Load Speed	0-3,000 RPM (Auto reverse mode)
Tool Weight	2.30 kg (5.06 lbs)
Dimension (LxWxH)	294 mm x 78 mm x 241 mm (11.6" x 3.1" x 9.5")



RV20103 - 20V BRUSHLESS RIVET NUT TOOL

RV20105 - 20V BRUSHLESS RIVET NUT TOOL



FEATURES

- Electronic torque & speed control
- Simple and safe drilling of the blind rivet nuts
- Fast and simple change system for threaded mandrels
- Automatic switchover from setting to drilling
- Constant setting speed
- Built-in LED light • Battery indicator

SPECIFICATION

Model Number	RV20103
Voltage	20 Vdc
Rivet Nut Size	M4 / M5 / M6 / M8 / M10
Max. Torque	100 / 180 / 220 Nm (73 / 133 / 162 ft-lbs)
No Load Speed	0-1,200 / 0-1,900 / 0-3,000 RPM
Tool Weight	2.15 kg (4.73 lbs)
Dimension (LxWxH)	250 mm x 78 mm x 241 mm (9.8" x 3.1" x 9.5")



FEATURES

- Electronic torque & speed control
- Simple and safe drilling of the blind rivet nuts
- Automatic switchover from setting to drilling
- Constant setting speed
- Built-in LED light • Battery indicator

SPECIFICATION

Model Number	RV20105
Voltage	20 Vdc
Rivet Nut Size	1/2"
Max. Torque	100 / 180 / 220 Nm (73 / 133 / 162 ft-lbs)
No Load Speed	0-1,200 / 0-1,900 / 0-3,000 RPM
Tool Weight	2.02 kg (4.44 lbs)
Dimension (LxWxH)	252 mm x 78 mm x 241 mm (9.9" x 3.1" x 9.5")



havasis

ÇÖZÜMÜN İLK ADI

Mersinli 2823/1 No: 2/130 Konak / izmir

ONLINE ALIŞVERİŞ

pahaliyaalma.com



Sipariş & Danışma Hattı

0549 449 3535

KURUMSAL İLETİŞİM

havasis.com.tr

Bursa Bölge
0530 060 1029

Ankara Bölge
0553 251 5537

İstanbul Bölge
0532 440 2191



Teklif & Ürün Bilgi
info@havasis.com.tr

Kalibrasyon & Bakım Onarım Merkezi
servisdestek@kalibo.com.tr